

K-LITE



CAST IRON & AREA LIGHTING POLES

Cast Iron Lighting Poles have become a permanent feature of modern architecture as they skillfully enhance the appearance of any surroundings giving its own unique identity. Poles can stylishly convey the identity of any landscape. Our poles can be designed to suit single or multi arms brackets in order to install one or more light sources.

Product Description

- Pole design parameters vary depending on the type of bracket and loading factor.
- All pole sections are welded using special v groove technique by certified welders using high end MIG welding processes.
- Cast Iron made of ASTM A48 Class 25
- Built-in control box with cast aluminium service door and safety rope.
- Cast Iron door is contoured to the shape of the pole.
- The control gear tray is prewired with MCB, terminal connectors for loop-in / loop-out arrangement.
- The foundation bolt holes in the base plate are designed to be elongated for fine adjustments / alignment of the pole during installation.
- Base plate made of steel grade E250 & foundation bolt of grade 4.6
- **CE** - Conformity mark

Product Benefits

- Quick installation and low assembly costs.
- A wide range of Pole heights and bracket options to meet various lighting requirements.
- Functionally versatile, strong and stable with sound engineering.
- Innovative Design options to provide Visual integration with the environment.
- Customised for your delight : Creating the entire product portfolio - Right from concept to completion, merging the best technology and practices in lighting.

Area of Application

Street lighting in main road / secondary roads, Illuminating pathways in parks, Gardens, Resorts, Expressways, Private driveways, Residential Area Lighting, Boulevards, Shopping centres, Building perimeters and Public places.

Installation

Surface mounted with base plate and fitted on a pre formed foundation.

Available Finish

Coated with zinc rich primer and finished using environmentally stable polyurethane based paint / Pure polyester powder coated of desired colour.

- Graphite grey
- Anthracite grey
- Black

MONTANA

Series

ID	Name	Arm	Height	Mounting
KP-4908	Montana	-	3823	KP-28
KP-4909	Driveway Floral Montana	SA	5190	KP-90
KP-4910	Pelican Mini Montana	SA	5690	KP-51.2
KP-4911	Pelican Mini Montana	DA	5690	KP-51.2

Bracket Option : Sora / Sylvia / Nene / Emma

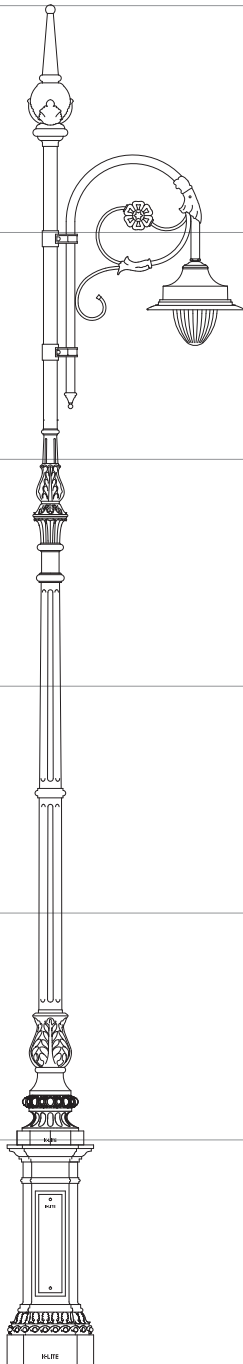


MONTANA

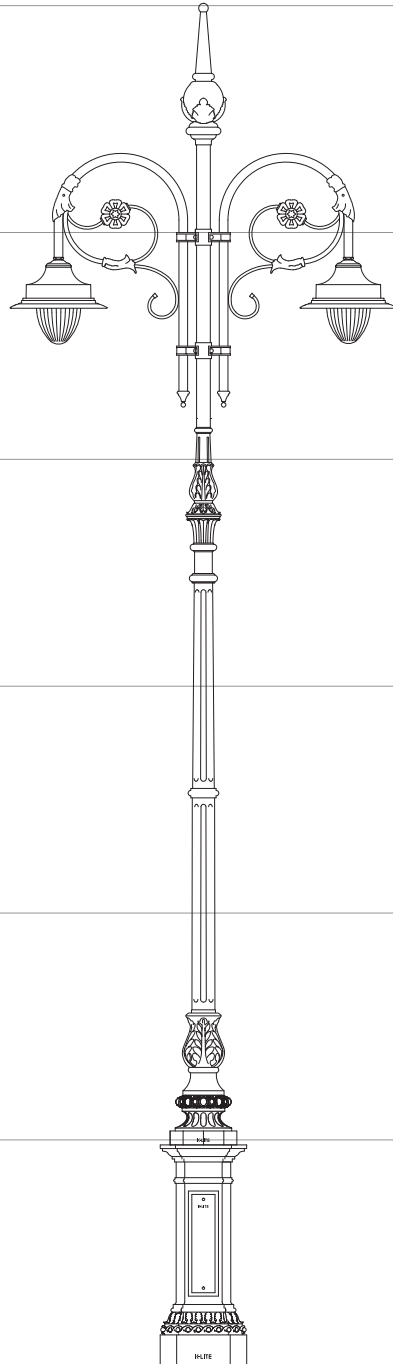
Series

K-LITE

ID	Name	Arm	Height	Mounting
KP-4912	Pelican Mini Orna Montana	SA	6000	KP-51.2
KP-4913	Pelican Mini Orna Montana	DA	6000	KP-51.2



KP-4912



KP-4913

MONTANA

Series

ID	Name	Arm	Height	Mounting
KP-4914	Snaky Mini Montana	DA	5190	KP-90

Bracket option : Pendant / Post Top / Street Light



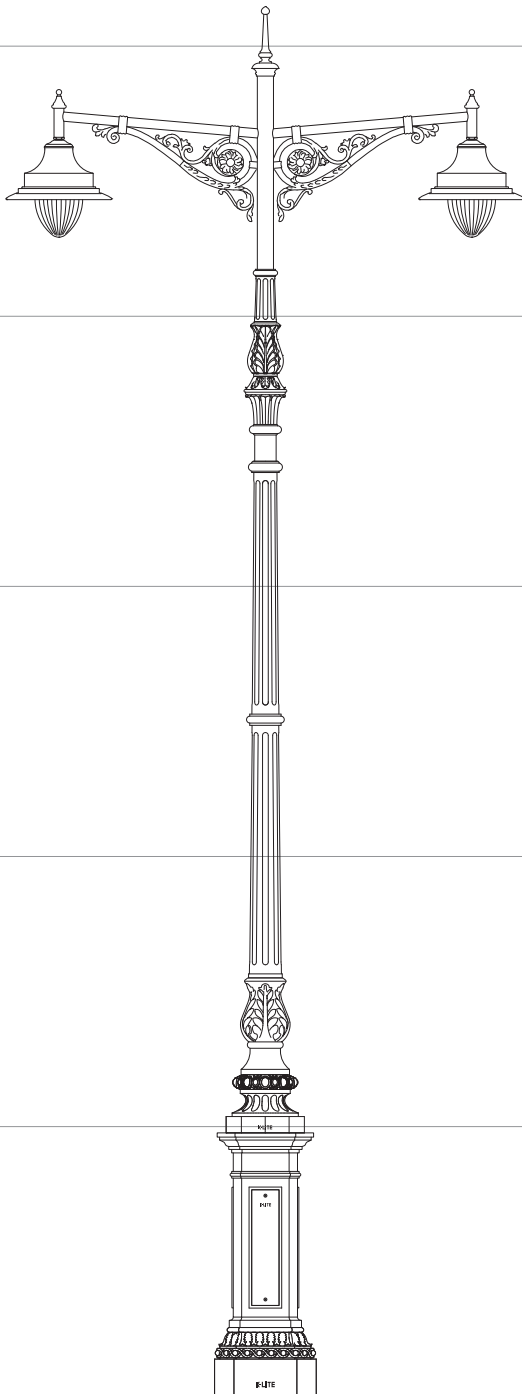
MONTANA

Series

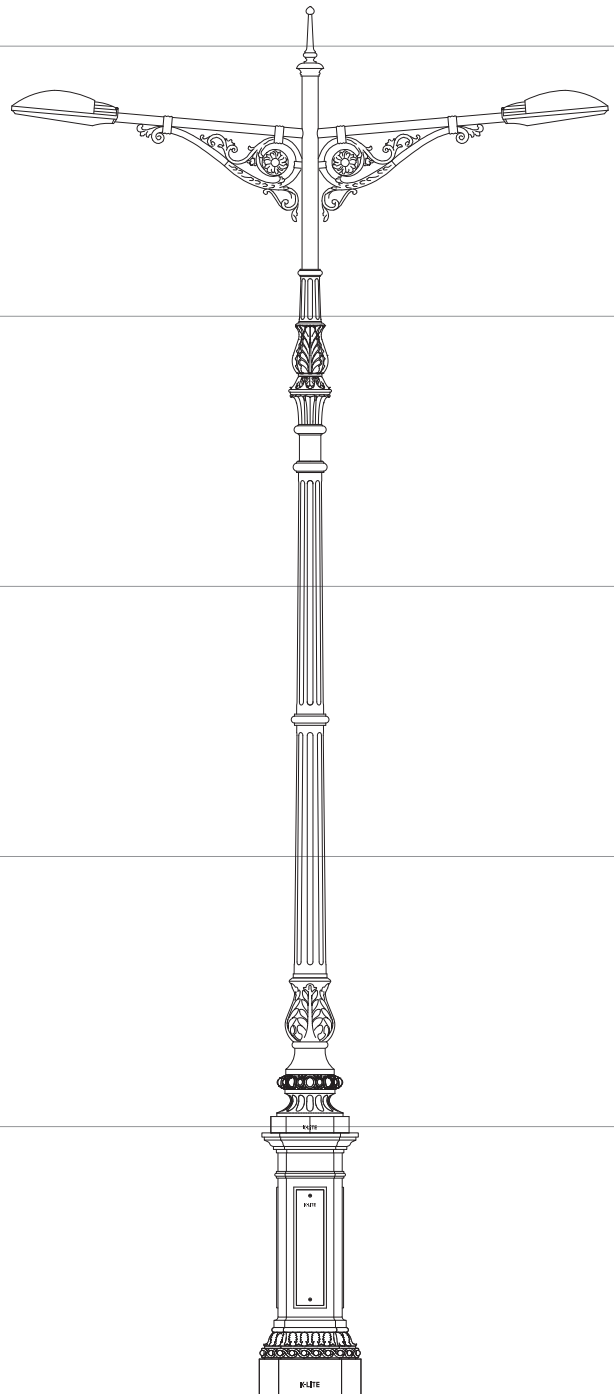
K-LITE

ID	Name	Arm	Height	Mounting
KP-4915	Swan Montana	DA	5190	KP-90

Bracket option : Pendant / Post Top / Street Light



KP-4915 P



KP-4915 S