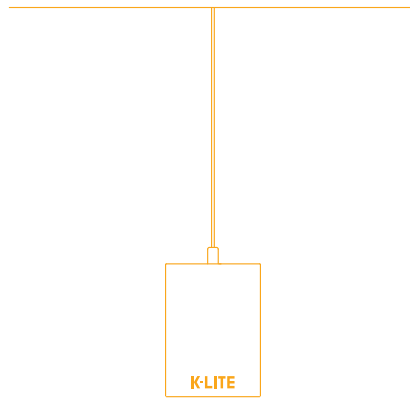


INSPIRATION



Open Source



DEEP

Unobstructed Light Line

Linear pendant lighting designed for continuous lighting systems. Unobstructed illumination offering coherent solutions suitable for any kind of space.

Our modern, slim profiles and stylish linear design offer excellent direct lighting, exceptional performance and versatility combined with visually comfortable and efficient light for offices, conference rooms, museums, retail outlets, hotels, restaurants and more.

K-LITE

DEEP

Power : Upto 40W Upto 80W
 Length: 1210mm 2402mm

Upto
100
lm/w

Features

- Lumiled / Equivalent LED's
- CRI Ra>80 (>90 On Request)
- SDCM ≤ 3
- L80 / B10 @ 50,000 Hrs
- Standard suspension kit 1M



Options

- CCT : 3000K / 4000K / 5700K
- Driver options



Beam Angle

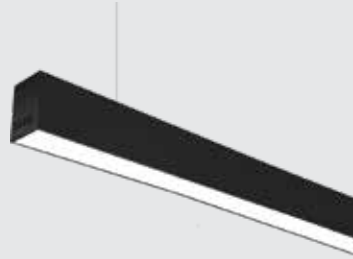
BA120°
Diffused

Accessories

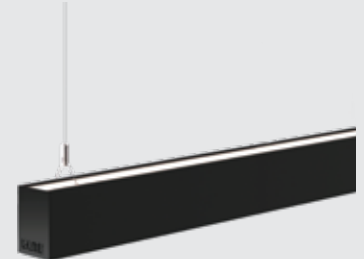


Canopy Kit for Dimmable options

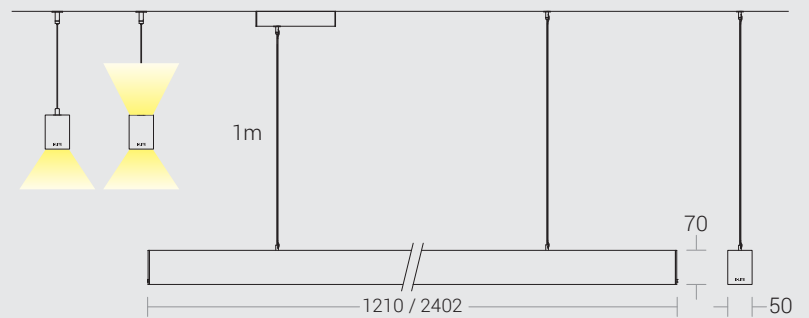
PENDANT-DIRECT



PENDANT-DIRECT / INDIRECT



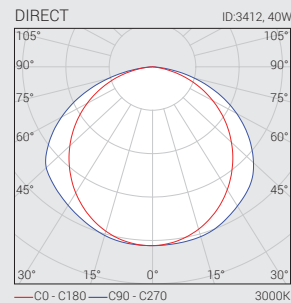
Dimension in mm



Housing Colour

- Extruded aluminium with powder coated finish in RAL9005 Black fine texture | RAL9016 White fine texture | RAL9006 Grey fine texture

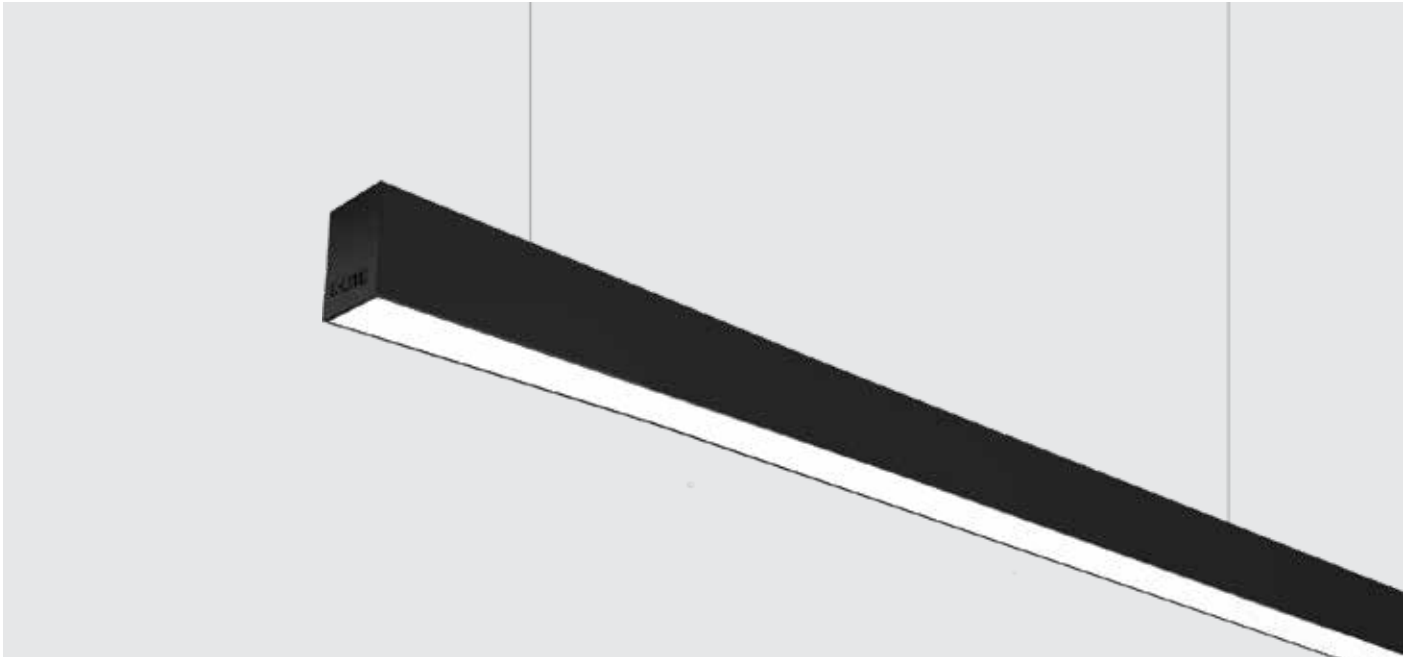
Light Distribution



Prismatic



PC Opal Matte



Technical Specifications

General

Driver	: Constant Current
Input Voltage	: 198-264Vac
Operating Temperature	: -15°C~+50°C

Light Source

Light Source	: Lumiled / Equivalent
LED Lumens	: 4500 lm / 6000 lm
CRI (Ra)	: >80 (>90 On Request)
LED Colour Temperature	: 3000K / 4000K / 5700K

Optical

Tilt	: Fixed
Beam Angle	: 120°
Diffuser Material	: Polycarbonate
Diffuser Finish	: Opal Matte / Prismatic
UGR	: <19

Physical

Body	: Extruded Aluminium with Die-cast Endcaps
Mounting	: Pendant
Finish	: Black(RAL9005) White(RAL9016) Grey(RAL 9006)

Driver

Power Supply	: Integral
Power Factor	: >0.90
THD	: <10%
Surge Protection	: 2KV-3KV
Efficiency	: >85%



Ordering Guide

Direct - Opal Matte

ID	Wattage	Dimension (mm)
3412	Upto 40W	1210 x 50 x 70
3531	Upto 80W	2402 x 50 x 70

Direct - Prismatic

ID	Wattage	Dimension (mm)
3532	Upto 40W	1210 x 50 x 70
3533	Upto 80W	2402 x 50 x 70

Direct - Indirect - Opal Matte

ID	Wattage	Dimension (mm)
3534	Upto 40W & 15W	1210 x 50 x 70
3535	Upto 80W & 30W	2402 x 50 x 70

Direct-Prismatic & Indirect-Opal Matte

ID	Wattage	Dimension (mm)
3536	Upto 40W & 15W	1210 x 50 x 70
3537	Upto 80W & 30W	2402 x 50 x 70