

"Seagull Mega" Street Light Cut off lantern, integral model, side entry type. High Brightness, LED Light source do not pose any environment risks. Designed for highest efficiency in terms of more lumens at reduced wattages contributing to a Greener World. Long life span with very low maintenance.

Product Description

- Luminaire body and top cover made of pressure die cast aluminium featuring high strength and anti corrosion.
- Clear polycarbonate optical cover.
- Top cover retained by hinge for easy maintenance and held in closed position by spring loaded latch.
- Integrated with 150W LED module.
- Suitable for mounting on 76mm OD pipe.
- Cable entries for through-wiring of mains supply cable.
- Integral constant current power supply
- Prewired with LED driver and suitable for operation on 240V, 50Hz, single phase ac supply.
- Ordering guide : KL-4158-CCT (Colour Temperature).
- Available CCT : 3000K, 4000K, 5700K.



Product Benefits

- Functionally versatile, strong and stable.
- Corrosion resistant and easy maintenance.
- Quick installation and low assembly costs.
- Sustainable LED technology offers durability and optimal light output with low power consumption.

Area of Application

Street Lighting, Smaller Roadways, Expressways, Private driveways, Residential Area Lighting, Courtyards, Public area lighting like parks & Squares.

Available Finish

Pure polyester powder coated

- Traffic grey
- Black





Technical Specifications

General

ID	: 4158
System Wattage	: 150W LED
Driver Integral	: Constant Current
Input Voltage	: 230-240Vac
Frequency	: 50-60Hz
Operating Voltage	: 100-277Vac
Operating Temperature	: -15°C~+50°C

Physical

Body	: Die Cast Aluminium
Diffuser	: Clear Polycarbonate
Optical Cover	
Mounting	: Suitable for Ø76mm OD Pipe
Finish	: Powder Coated Traffic Grey / Black

Light Source

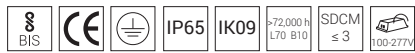
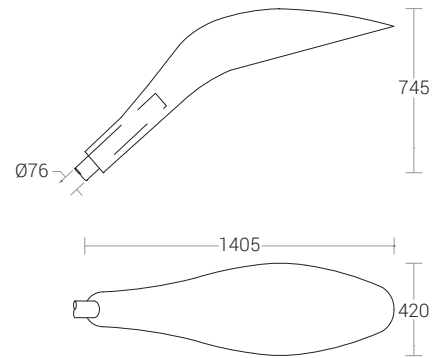
Light Source	: OSRAM / LUMILED
LED Lumens	: 22500 lm
CRI (Ra)	: >80
LED Colour Temperature	: 3000K / 4000K / 5700K

Driver

Power Supply	: Integral
Power Factor	: >0.95
THD	: <10%
Surge Protection	: 6KV
Efficiency	: >88%

Optical Performance

Colour Temperature	: 3000K
Luminous flux	: 18384 lm
Optical Distribution	: Type III



Photometric Data

