

The Bulk head are the perfect combination of aesthetic fixture design and optimum illumination performance. Surface mounting wall light for illumination of interior and exterior locations where guidance and security lighting is required.

### Product Description

- Luminaire made of die cast aluminium with non corrosive SS fasteners.
- Non yellowing UV stabilized translucent polycarbonate diffuser for glare free, uniform light distribution.
- Silicone gasket.
- Luminaire integrated with 12W LED.
- Cable entries for through-wiring of mains supply cable.
- Integral constant current power supply.
- CRI (Ra) : >80.
- Prewired with LED driver and suitable for operating on 240V, 50Hz single phase ac supply.
- Ordering guide : KL-4049-CCT (Colour Temperature).
- Available CCT : 2700K, 3000K, 4000K, 5700K



### Product Benefits

- High luminous efficiency at reduced wattage.
- Versatile use, Simple installation.
- Sustainable LED technology offers durability and optimal light output with low power consumption.

### Area of Application

Suitable for Private & Public areas, Commercial centres, Walkways, Residential, Passages.

### Available Finish

Pure polyester powder coated black





**Technical Specifications**

**General**

ID : 4049  
 System Wattage : 12W LED  
 Driver Integral : Constant Current  
 Operating Voltage : 100-277Vac  
 Operating Temperature : -15°C~+50°C

**Physical**

Body : Die Cast Aluminium  
 Diffuser : Translucent polycarbonate  
 Mounting : Wall - Surface  
 Finish : Powder Coated Black

**Light Source**

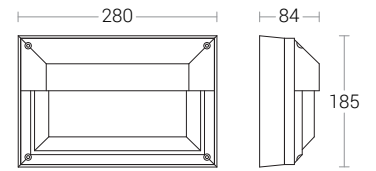
Light Source : NICHIA  
 CRI (Ra) : >80  
 LED Colour Temperature : 2700K / 3000K / 4000K / 5700K

**Driver**

Power Supply : Integral  
 Input Voltage : 230-240Vac  
 Frequency : 50-60Hz  
 Power Factor : >0.95  
 THD : <10%  
 Surge Protection : 3KV  
 Efficiency : >80%

**Optical Performance**

Beam Angle : 120°



The Bulk head are the perfect combination of aesthetic fixture design and optimum illumination performance. Surface mounting wall light for illumination of interior and exterior locations where guidance and security lighting is required.

**Product Description**

- Luminaire made of die cast aluminium with non corrosive SS fasteners.
- Non yellowing UV stabilized translucent polycarbonate diffuser for glare free.
- Silicone gasket.
- Luminaire integrated with E27 Holder.
- Surface mounting on wall using hardware after connecting to the power supply.
- Cable entries for through-wiring of mains supply cable.
- Prewired with E27 holder and suitable for operation on 240V, 50Hz single phase ac supply.



**Product Benefits**

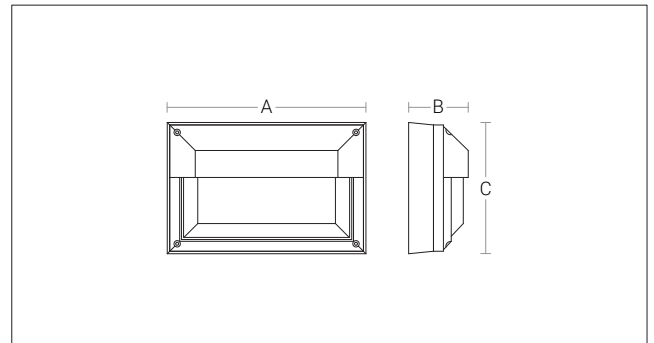
- Sturdy construction in order to maintain performance of the luminaire and to reduce maintenance costs.
- The diffuser contributes to the creation of ambiance and to visual comfort by reducing glare.
- Versatile use, Simple installation.

**Area of Application**

Suitable for Private & Public areas, Commercial centres, Walkways, Residential, Passages.

**Available Finish**

Pure polyester powder coated black



ID	Wattage	A	B	C
4058	E27 Holder	280	84	185