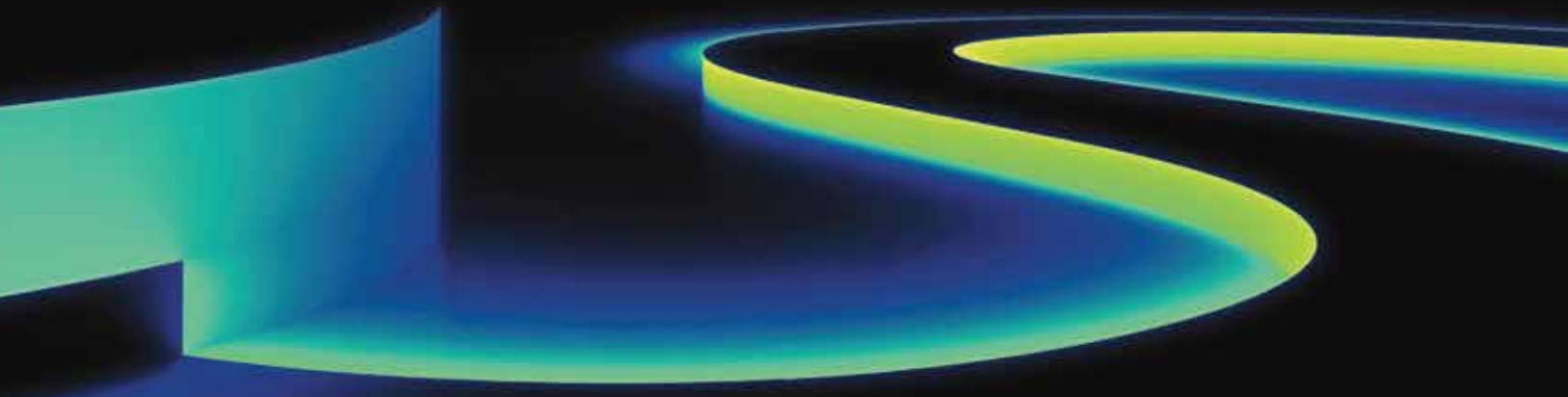


**K-LiTE**



**stellar 16**





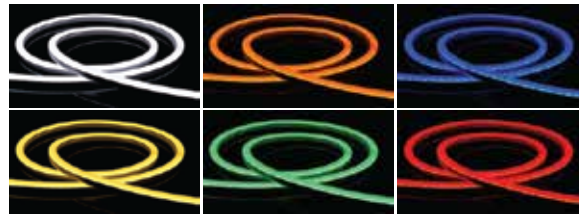
OPEN SOURCE

## STELLAR 16

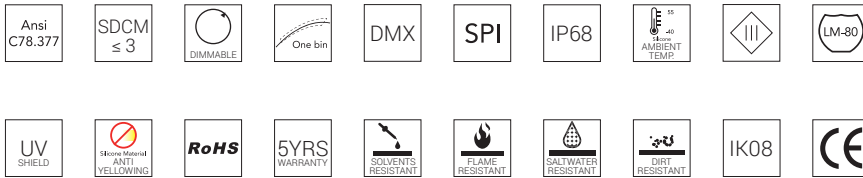
Flexible Design  
Multiple Applications

Introducing our high-quality, flexible LED silicone flex featuring unique co-extrusion technology. This innovative design combines exceptional flexibility with superior lighting performance, making it ideal for a wide variety of indoor and outdoor applications.

## COLOUR



## PRODUCT FEATURES



## CUSTOMIZATION



Available to customize the colour temperature from 2200K to 6500K  
Colour like R/G/B/W



Available to customize the cable. Standard length 0.6m (bare wire) 0.3m (with male/female connector)



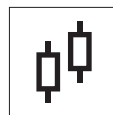
Available in CRI >90



Options for different injection mold connectors (direct, side, bottom entry)



Custom lengths of LED linear flex are available to suit your specific project requirements.



We can develop new cross sections and profiles tailored to your specific project needs.

**Note :** Fixture manufactured to desired length and Factory IP rated tested (Not field cuttable)

The Stellar silicone co-extrusion flex is an advanced lighting solution designed for durability and performance. Offering exceptional UV resistance, chemical stability and abrasion resistance, this flexible luminaire is ideal for both indoor and outdoor applications. With an IP68 rating, it is fully protected against dust and water ingress, ensuring reliable use in demanding environments. The flexible design allows for easy vertical bending, delivering a uniform light output along its entire length. Additionally the Stellar flex can be configured to the precise length needed with small cutting increments, allowing for seamless and flexible installation in various settings.

### Product Description

- Ultra bright LED Silicone - Top Bend
- Anti-UV for outdoor use.
- Flexible vertical bending diameter of 120mm for easy of installation.
- Available in 120° beam angle.
- Even light distribution & no dot spots.
- CRI ( Ra ) :  $\geq 90$
- Constant voltage non integral power supply
- Low Voltage at 24V dc assures safety.



### Product Benefits

- Dot free and absolutely homogeneous light emission surface.
- Flexibility combined with high durability.
- High luminous flux
- High colour consistency

### Areas of Application

- Signboard
- Logo
- Accent Lighting
- Hospitality Industry
- Commercial & Business Centers
- Residential & Educational premises





OPEN SOURCE

**Technical Specifications**

**General**

ID	: 3398
System Wattage	: 10W/m
LED Count	: 144 LEDs/m
Cutting Unit	: 12 LEDs
Cutting Unit Length	: 83.3 mm
Minimum Bend Dia	: 120 mm
Driver Non-Integral	: Constant Voltage
Operating Voltage	: 24Vdc
Operating Temperature	: -40°C to 55°C

**Light Source**

Light Source	: SMD 3528
CRI (Ra)	: >90
LED Colour Temperature	: 2700K / 3000K (Other CCTs on request)
LED Life Time	: 70,000 Hours L70 @ 25°C 50,000 Hours L70 @ 50°C

**Driver**

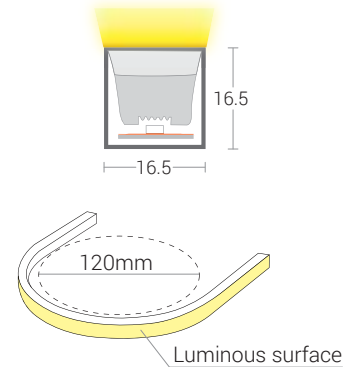
Power Supply	: Non - Integral
--------------	------------------

**Physical**

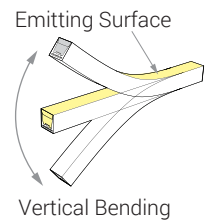
Body	: Silicone - Top Bend
Mounting	: Aluminium Channel, SS Clamp, SS flexible channel

**Optical Performance**

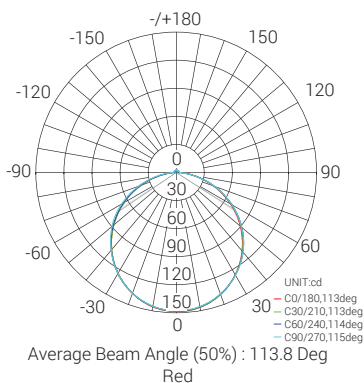
Beam Angle	: 120°
Max Run Length*	
Single Feed	: 10 m
Double Feed	: 20 m



Min. Bending Diameter



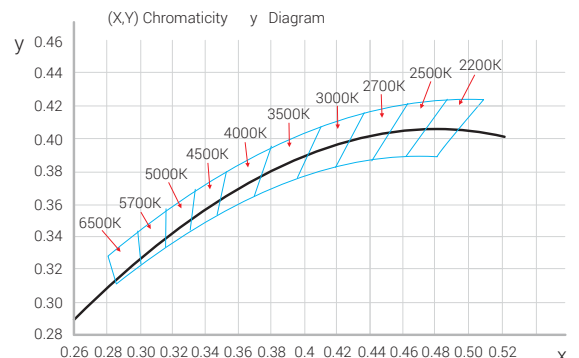
**Illuminance Distribution**



**Cone Diagram**

Height	Center E	Average E	Dia
1.0m	142.84lx	38.2lx	3.3m
2.0m	35.71lx	9.62lx	6.5m
3.0m	15.9lx	4.3lx	9.8m
4.0m	8.91lx	2.4lx	13m
5.0m	5.7lx	1.5lx	16.3m

**White Colour Chart**





OPEN SOURCE

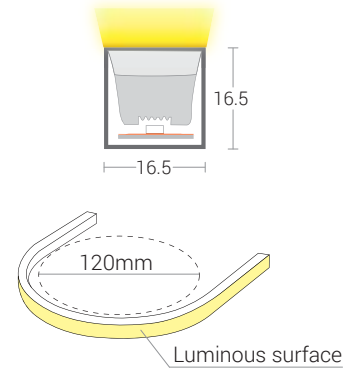
**Technical Specifications**

**General**

ID	: 3398
System Wattage	: 18W/m
LED Count	: 70 LEDs/m
Cutting Unit	: 7 LEDs
Cutting Unit Length	: 100 mm
Minimum Bend Dia	: 120 mm
Driver Non-Integral	: Constant Voltage
Operating Voltage	: 24Vdc
Operating Temperature	: -40°C to 55°C

**Light Source**

Light Source	: SMD 5050
LED Colour Temperature	: RGBW (W-2700K / 3000K)
Working Mode	: DMX (RS485)
Pixels Quantity	: 10 Pixel/m
IC Chips	: UCS512
LED Life Time	: 70,000 Hours L70 @ 25°C 50,000 Hours L70 @ 50°C



**Physical**

Body	: Silicone - Top Bend
Mounting	: Aluminium Channel, SS Clamp, SS flexible channel

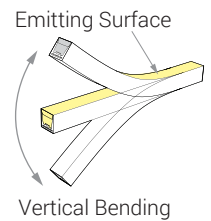
**Driver**

Power Supply	: Non - Integral
--------------	------------------

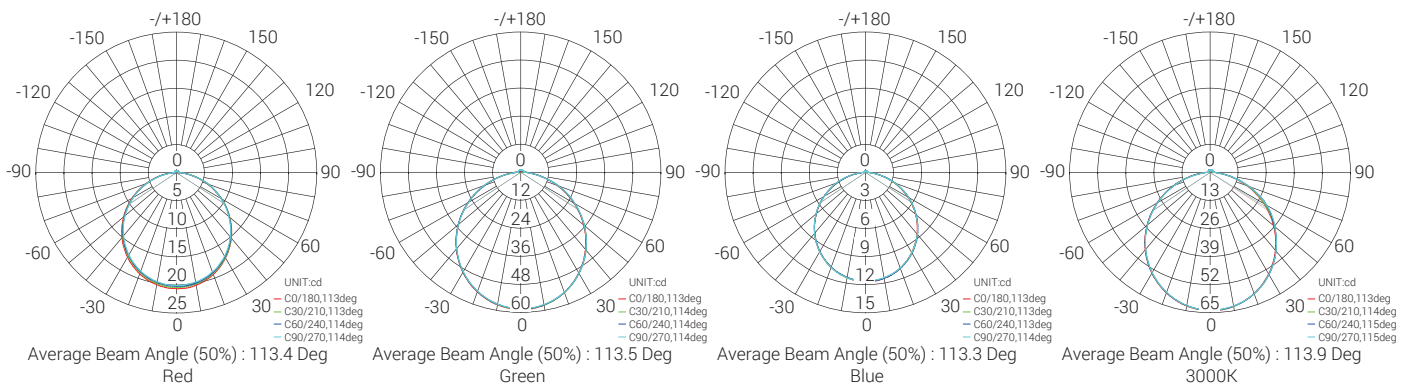
**Optical Performance**

Beam Angle	: 120°
Max Run Length*	
Single Feed	: 8 m
Double Feed	: 16 m

Min. Bending Diameter



**Illuminance Distribution**





OPEN SOURCE

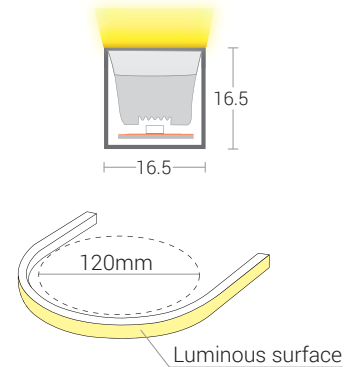
**Technical Specifications**

**General**

ID	: 3398
System Wattage	: 18W/m
LED Count	: 70 LEDs/m
Cutting Unit	: 7 LEDs
Cutting Unit Length	: 100 mm
Minimum Bend Dia	: 120 mm
Driver Non-Integral	: Constant Voltage
Operating Voltage	: 24Vdc
Operating Temperature	: -40°C to 55°C

**Light Source**

Light Source	: SMD 5050
LED Colour Temperature	: RGBW (W-3000K)
Working Mode	: SPI
Pixels Quantity	: 10 Pixel/m
IC Chips	: UCS8904
LED Life Time	: 70,000 Hours L70 @ 25°C 50,000 Hours L70 @ 50°C



**Physical**

Body	: Silicone - Top Bend
Mounting	: Aluminium Channel, SS Clamp, SS flexible channel

**Driver**

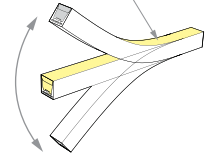
Power Supply	: Non - Integral
--------------	------------------

**Optical Performance**

Beam Angle	: 120°
Max Run Length*	
Single Feed	: 8 m
Double Feed	: 16 m

Min. Bending Diameter

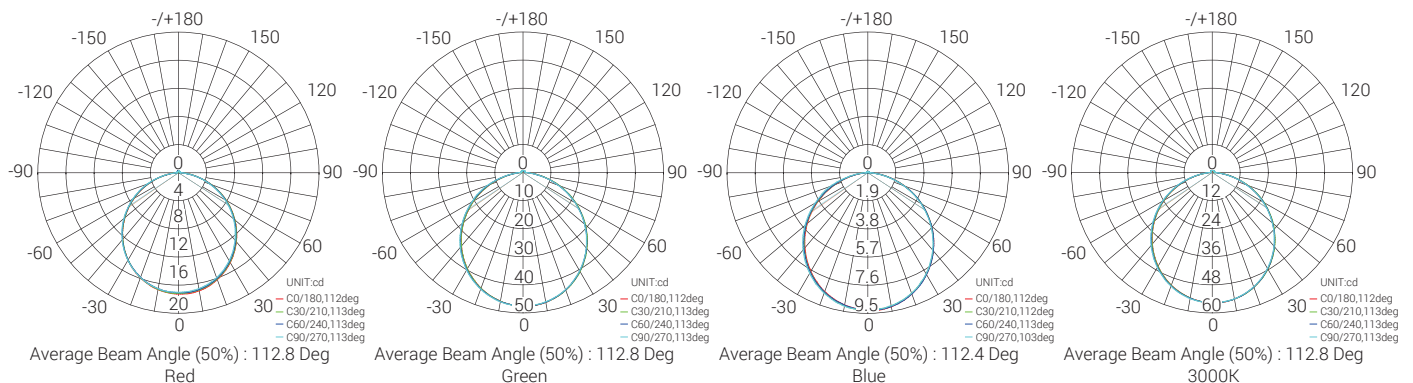
Emitting Surface



Vertical Bending



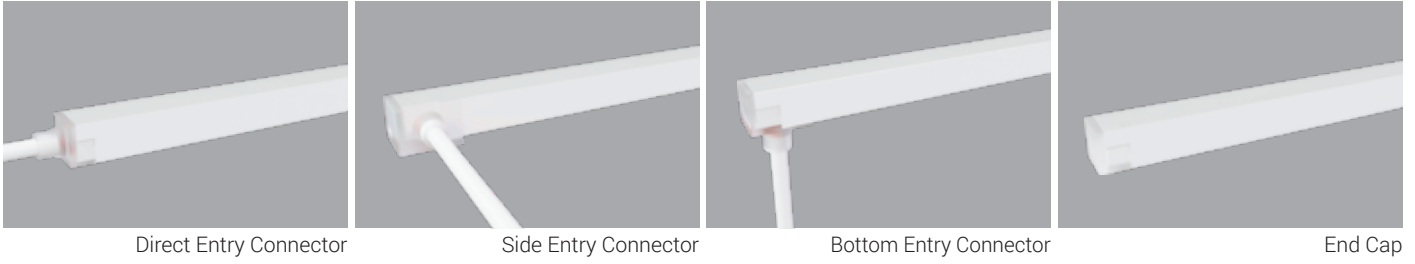
**Illuminance Distribution**





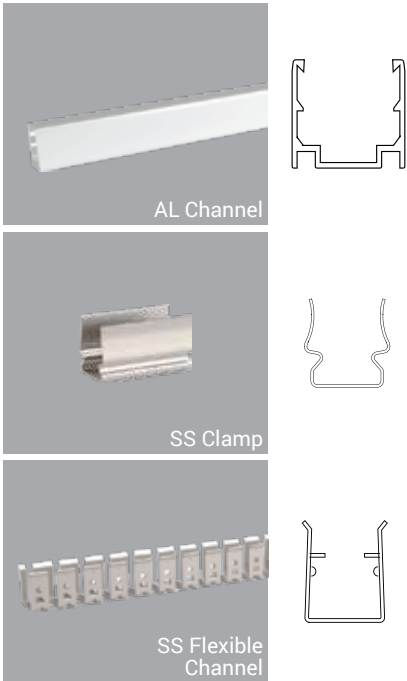
## ACCESSORIES

### Connector



## MOUNTING ACCESSORIES

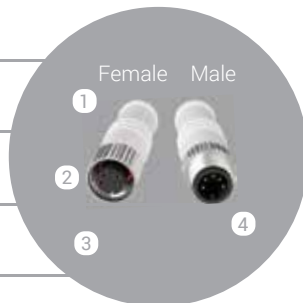
### Stellar 16 - TV



## CABLE CONNECTOR (MALE & FEMALE)



1. Double layer high viscosity TPU
2. 316 stainless steel material
3. Nylon material
4. Solid Copper Pin



SCHEMATIC DRAWING - CONNECTION

FG (Green)  
 AC/L (Brown)  
 AC/N (Blue)

