



**stencil pro**

Crafted to provide exceptional visual comfort, Stencil Pro is the perfect choice for creating orientation and ambiance in any outdoor space. Whether illuminating pathways, driveways, or outdoor seating areas, these luminaries offer gentle, yet effective general ambient light, instilling a sense of security and tranquillity during night time hours.

#### MATERIAL

Body	: Extruded aluminium alloy (grade 6063) & Gravity die-cast aluminium
Impact Protection	: IK08
Ingress Protection	: IP65
Diffuser	: Satin acrylic
Gasket	: Silicone compression gasket
Glare Control	: Slight regress in the optical assembly for better glare control
Mounting	: Pressure die cast aluminium mounting base. Suitable for mounting on 60mm OD pole.

#### ELECTRICAL

Driver	: Standard
Power Supply	: Integral
Input Voltage	: 230-240Vac / 50-60 Hz
Surge	: 4KV

#### PRODUCT CONFIGURATIONS

Wattage	: 40W
Light Distribution	: Symmetrical
CCT	: 2700K / 3000K / 4000K / 5700K
LED Life Time	: L70 B10 50,000 H

#### AREA OF APPLICATION

Illuminating parks, Gardens, commercial complex, Pathways in residential buildings & office complex.

#### AVAILABLE FINISH

Pure polyester powder coated  
RAL 9004 Black  
RAL 9007 Grey aluminium  
RAL 7016 Anthracite grey  
Graphite grey





SMART CITY, COIMBATORE



**Technical Specifications**

**General**

ID	: 24599
System Wattage	: 40W LED
Driver Integral	: Constant Current
Operating Voltage	: 100-300Vac
Operating Temperature	: -15°C~+50°C

**Light Source**

Light Source	: NICHIA
CRI (Ra)	: >80
LED Colour Temperature	: 2700K / 3000K / 4000K / 5700K

**Physical**

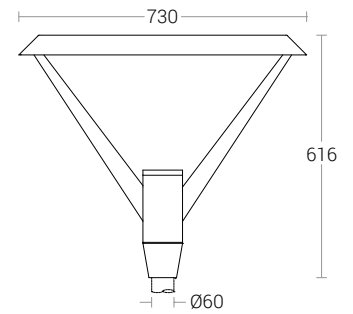
Body	: Extruded Aluminium & Die-Cast Aluminium
Diffuser	: Satin Acrylic
Mounting	: Suitable for Ø60mm OD Pipe
Finish	: Powder coated RAL 9004 Black RAL 9007 Grey aluminium RAL 7016 Anthracite grey Graphite grey

**Driver**

Power Supply	: Integral
Input Voltage	: 230-240Vac
Frequency	: 50-60 Hz
Power Factor	: >0.95
THD	: <10%
Surge Protection	: 4KV
Efficiency	: 87%

**Optical Performance**

Light Distribution	: Symmetrical
--------------------	---------------



**Note :** It is our constant endeavor to upgrade the performance of our products. For the latest technical information, IES files and product updates please refer to the website at [www.klite.in](http://www.klite.in)