

# K-LITE

## ARC-D

Power : Upto 40W      Upto 80W      Upto 120W  
 Length: 1200mm      2395mm      3585mm



### Features

- Bridgelux / Equivalent LED's
- CRI Ra>80 (>90 On Request)
- SDCM ≤ 3
- L70 / B10 @ 60,000 Hrs
- Standard suspension kit 1M



### Options

- CCT : 3000K / 4000K / 5700K or TW 2700K to 5700K
- Driver options



### Beam Angle



### Accessories



Canopy Kit for Control gear

K-LITE 60

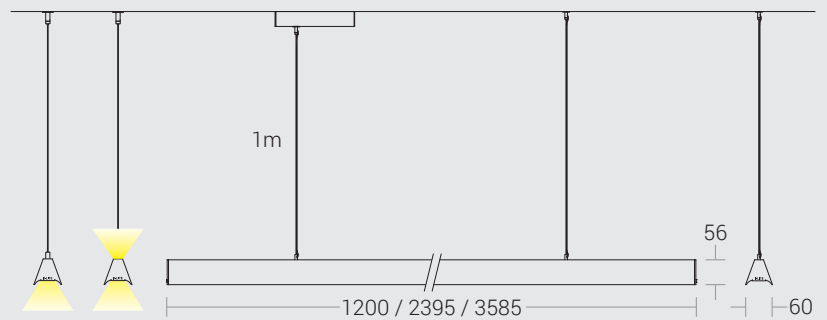
PENDANT DIRECT



PENDANT DIRECT / INDIRECT



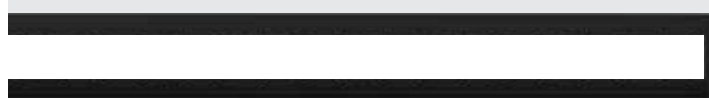
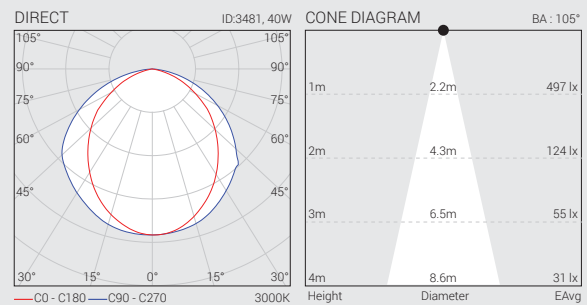
Dimension in mm

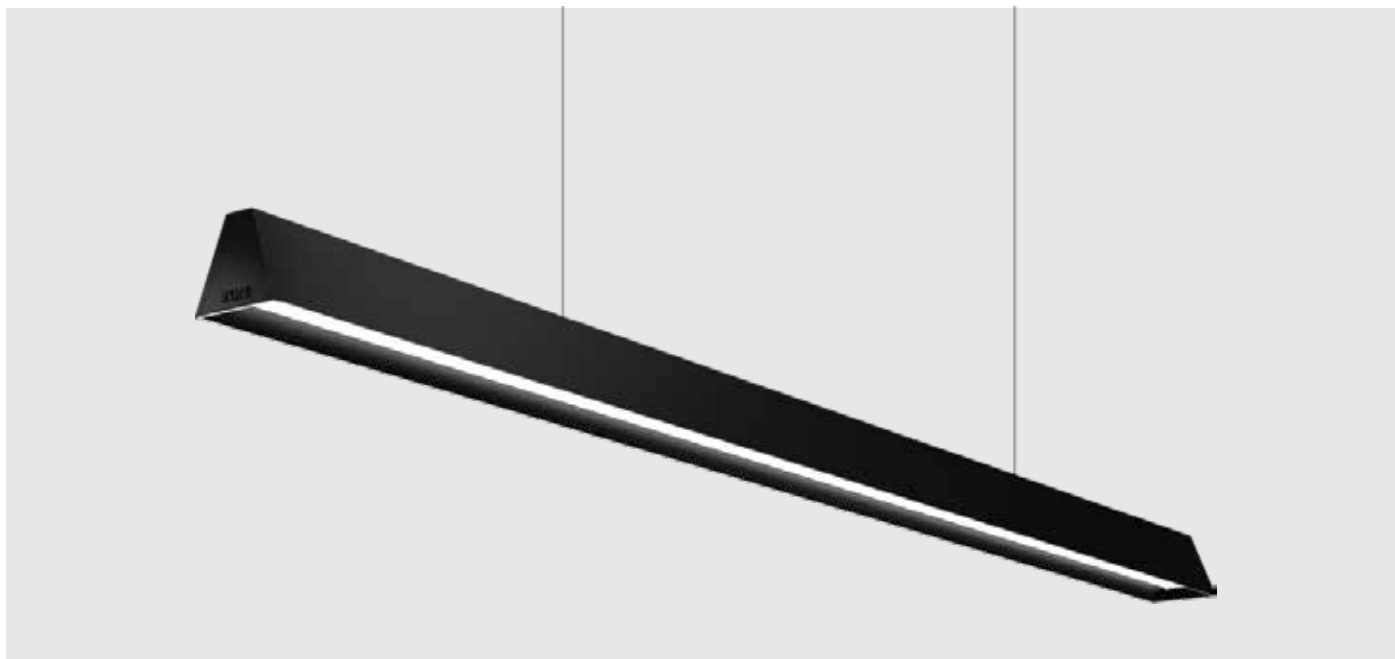


Housing Colour

- Extruded aluminium with powder coated finish in RAL9005 Black fine texture | RAL9016 White fine texture | RAL9006 Grey fine texture

Light Distribution





## Technical Specifications

### General

Driver : Constant Current  
 Input Voltage : 220-240Vac  
 Operating Temperature : -15°C~+50°C

### Light Source

Light Source : Bridgelux / Equivalent  
 CRI (Ra) : >80 (>90 On Request)  
 LED Colour Temperature : 3000K / 4000K / 5700K

### Optical

Tilt : Fixed  
 Beam Angle : 105°  
 Diffuser Material : Polycarbonate  
 Diffuser Finish : Opal  
 UGR : <19

### Physical

Body : Extruded Aluminium  
 with Die-cast Endcaps  
 Mounting : Pendant  
 Finish : Black(RAL9005)  
 White(RAL9016)  
 Grey (RAL 9006)

### Driver

Power Supply : Integrated  
 Power Factor : >0.95  
 THD : <10%  
 Surge Protection : 2KV-3KV  
 Efficiency : >85%



## Ordering Guide

### Pendant - Direct

ID	Wattage	Dimension (mm)
3481	Upto 40W	1200 x 60 x 56
3482	Upto 80W	2395 x 60 x 56
3483	Upto 120W	3585 x 60 x 56

### Pendant - Direct-Indirect

ID	Wattage	Dimension (mm)
3436	Upto 40W & 15W	1200 x 60 x 56
3437	Upto 80W & 30W	2395 x 60 x 56
3438	Upto 120W & 45W	3585 x 60 x 56