

Surface mounted range of wall lights are a perfect fit for varied outdoor lighting applications. Designed to illuminate the wall and surface in front of wall and for light accents on vertical surfaces.

Product Description

- Luminaire top cover & bottom frame made of pressure die-cast aluminium with extruded aluminium alloy (grade 6063) supporting arm.
- Translucent acrylic diffuser.
- Aluminium base for easy installation onto the wall.
- Surface mounting on wall using hardware after connecting to the power supply.
- Cable entries for through-wiring of mains supply cable
- Prewired with E27 holder and suitable for operating on 240V, 50Hz single phase ac supply.



Product Benefits

- Elegant, Robust design
- The diffuser contributes to the creation of ambiance and to visual comfort by reducing glare.
- Corrosion resistant and Maintenance free.
- Quick installation and low assembly costs.

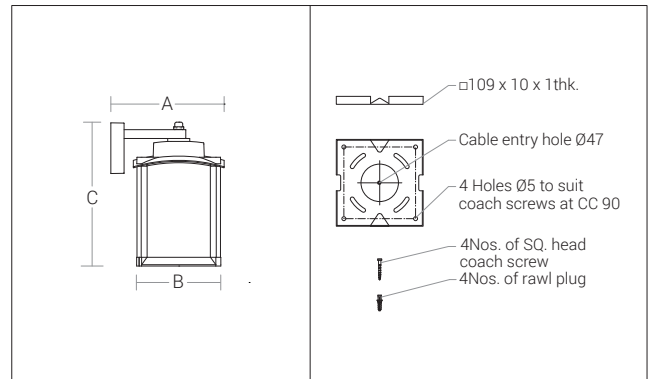
Area of Application

Residential, Building facade, Commercial centres, Passages, Pathways, Sculptures and Structures.

Available Finish

Pure polyester powder coated

- Graphite grey
- Anthracite grey
- Jet black



ID	Wattage	A	B	C
4338	E27	257	206	326

Surface mounted range of wall lights are a perfect fit for varied outdoor lighting applications. Designed to illuminate the wall and surface in front of wall and for light accents on vertical surfaces.

Product Description

- Luminaire top cover & bottom frame made of pressure die-cast aluminium with extruded aluminium alloy (grade 6063) supporting arm.
- Translucent acrylic diffuser.
- Luminaire integrated with 12W LED.
- Aluminium base for easy installation onto the wall.
- Surface mounting on wall using hardware after connecting to the power supply.
- Cable entries for through-wiring of mains supply cable
- Integral constant current power supply
- CRI (Ra) : ≥ 80 (90 CRI - On Request)
- Prewired with LED driver and suitable for operating on 240V, 50Hz single phase ac supply.
- Ordering guide : KL-4352-CCT (Colour Temperature)
- Available CCT : 3000K, 4000K, 5700K



Product Benefits

- Sturdy construction in order to maintain performance of the luminaire and to reduce maintenance costs.
- Quick & simple installation with low maintenance.
- Sustainable LED technology offers durability and optimal light output with low power consumption.

Area of Application

Residential, Building facade, Commercial centres, Passages, Pathways, Sculptures and Structures.

Available Finish

Pure polyester powder coated

- Graphite grey
- Anthracite grey
- Jet black





Technical Specifications

General

ID	: 4352
System Wattage	: 12W LED
Driver Integral	: Constant Current
Input Voltage	: 230-240Vac
Frequency	: 50-60Hz
Operating Voltage	: 100-277Vac
Operating Temperature	: -15°C~+50°C

Physical

Body	: Die-Cast Aluminium & Extruded Aluminium
Diffuser	: Translucent Acrylic
Mounting	: Surface - Wall
Finish	: Powder coated Jet black / Graphite grey Anthracite grey

Light Source

Light Source	: NICHIA
LED Lumens	: 1800 lm
CRI (Ra)	: >80
LED Colour Temperature	: 3000K / 4000K / 5700K

Driver

Power Supply	: Integral
Power Factor	: >0.90
THD	: <10%
Surge Protection	: 2.5KV
Efficiency	: >85%

Optical Performance

Light Distribution	: Symmetrical
--------------------	---------------

