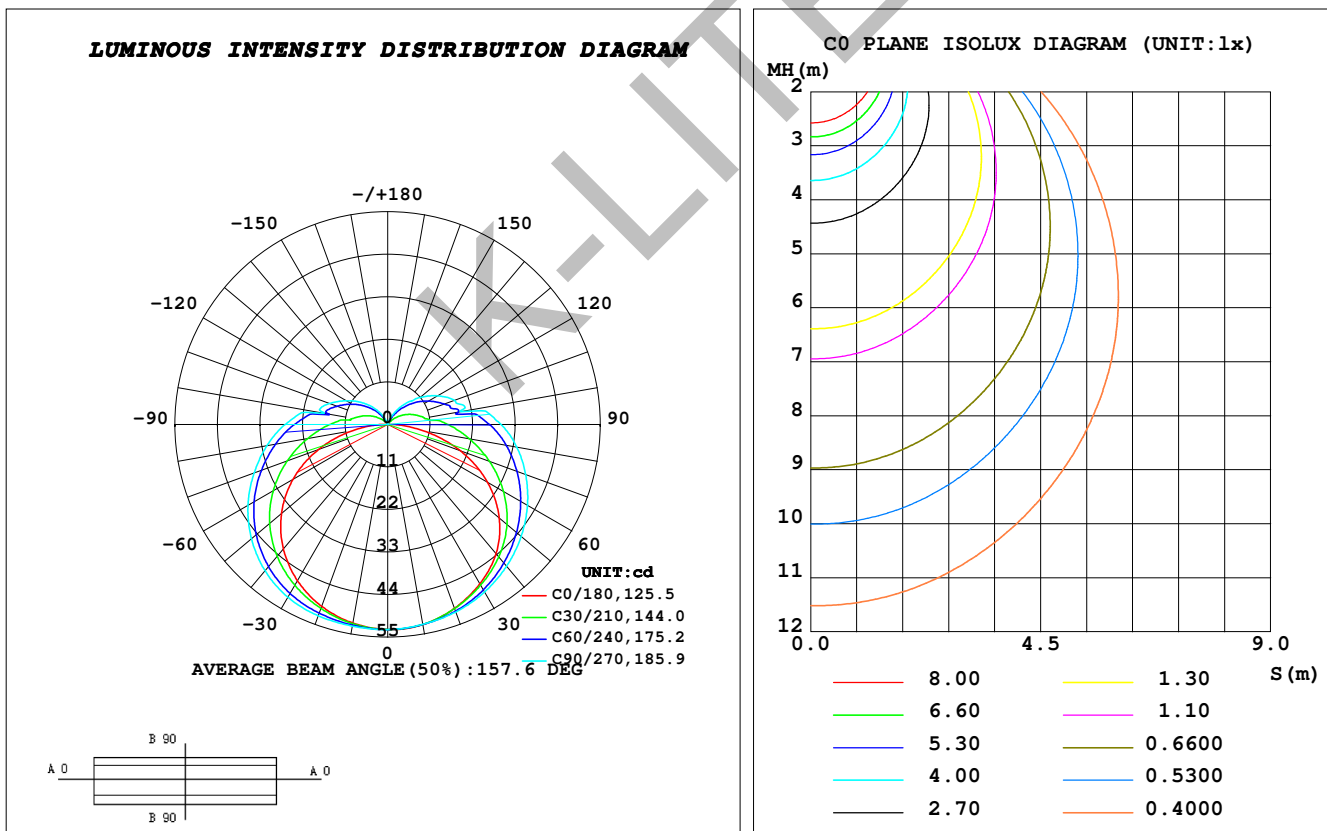


### LUMINAIRE PHOTOMETRIC TEST REPORT

Test:U:230.24V I:0.1017A P:9.1806W PF:0.3919 Freq:49.99Hz Lamp Flux:864.4x1 lm		
NAME: NEON FLEX	TYPE: LINEAR LIGHTING	WEIGHT:
SPEC.: WW	DIM.: 1M LENGTH	SERIAL No.: 0542
MFR.: K-LITE	SUR.:	Shielding Angle:

DATA OF LAMP		PHOTOMETRIC DATA			
MODEL	KL-3230	Imax (cd)	53.08	S/MH (C0/180)	1.31
NOMINAL POWER (W)	9	LOR (%)	31.8	S/MH (C90/270)	1.46
RATED VOLTAGE (V)	230	TOTAL FLUX (lm)	275.23	η UP, DN (C0-180)	2.9, 13.1
NOMINAL FLUX (lm)	864.4	CIE CLASS	SEMI-D.	η UP, DN (C180-360)	2.6, 13.2
LAMPS INSIDE	1	η up (%)	5.6	CIBSE SHR NOM	1.50
TEST VOLTAGE (V)	230	η down (%)	26.3	CIBSE SHR MAX	1.55



**C Range: 0 - 360DEG**  
**C Interval: 10.0DEG**  
**Test Speed: HIGH**  
**Temperature: 25.3DEG**  
**Operators: K-LITE**  
**Test Date: 16 December 2019**

**γ Range: 0 - 180DEG**  
**γ Interval: 0.5DEG**  
**Test System: EVERFINE GO-R5000\_V2 SYSTEM V2.00.417**  
**Humidity: 65.0%**  
**Test Distance: 1.825m [K=1.0000]**  
**Remarks:**