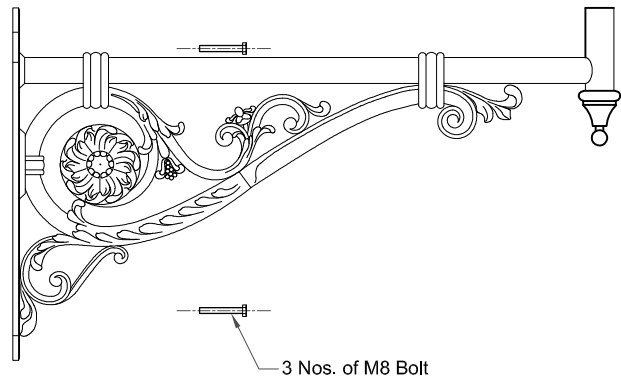
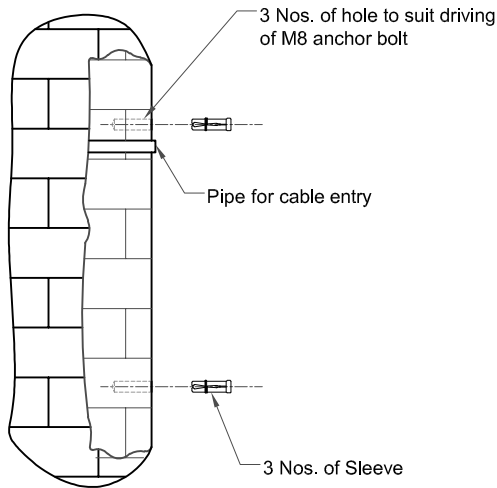
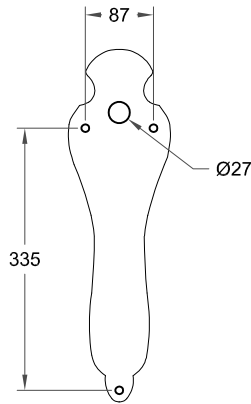


DWG. No. : KP-DMD-013  
SHEET No. : 1 of 1

ALL DIMENSIONS ARE IN mm



**NOTE:**

- 1. Pipe for cable entry shown is only for indicative.
- 2. Sleeve and anchor fasteners are not included in the scope of supply.

REV. No.	REVISION DETAILS	DATE	REVISED	CHD	APPD

DRAWN R.SATHISH	CHECKED MUTHU	APPROVED	DATE 29-03-2021	SCALE 1 : 10	MATERIAL -	Z:\KP\010.DETAIL MOUNTING DRAWING\KP - DMD - 013\REV 00.dwg
--------------------	------------------	----------	--------------------	-----------------	---------------	---

	<b>K-LITE INDUSTRIES</b> CHENNAI-600 058	<b>DETAILED MOUNTING DRAWING FOR KP - W13 WALL BRACKET</b>			
			DRG. NO. <b>KP-DMD-013</b>	REV 00	SHEET 1 of 1