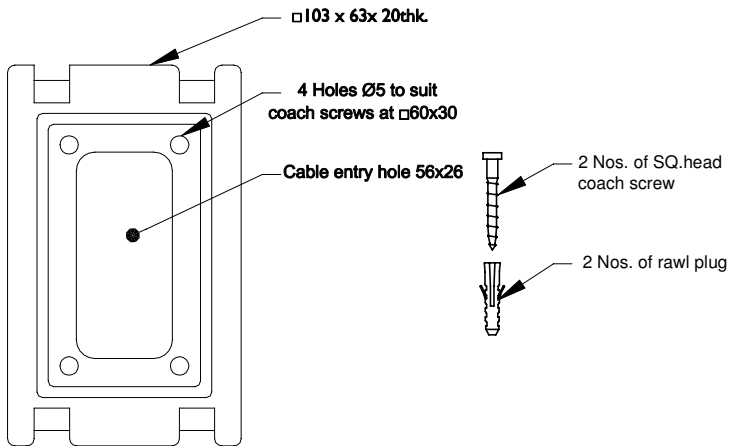


DWG. No. : KL - DFD - 112  
SHEET No. : 1 OF 1

ALL DIMENSIONS ARE IN mm

F

F

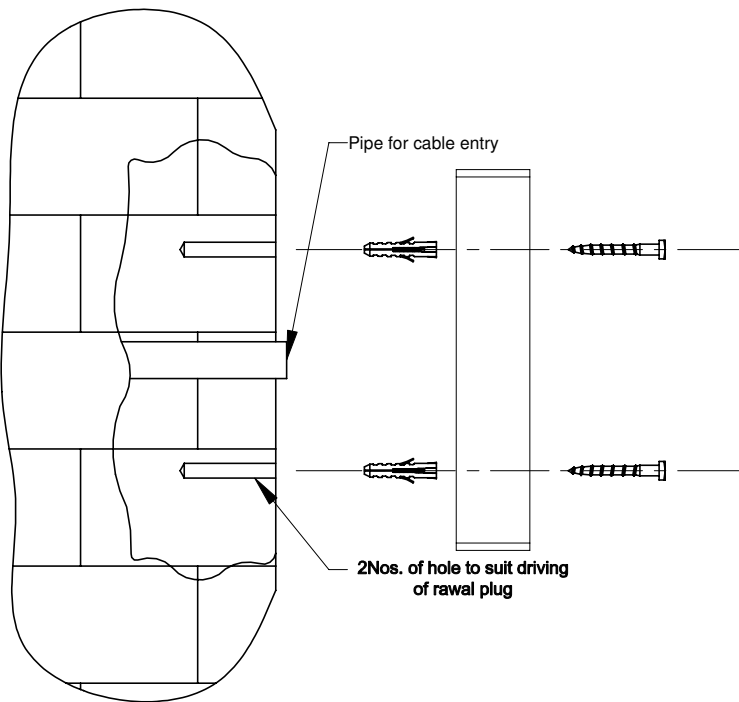


E

E

D

D



C

C

**NOTE:**

- 1. Pipe for cable entry shown is only for indicative.
- 2. Coach screws and rawl plugs are not included in the scope of supply.

B

B

A

A

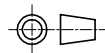
REV. No.	REVISION DETAILS	DATE	REVISED	CHD	APPD
----------	------------------	------	---------	-----	------

DRAWN ARAVINDH	CHECKED	APPROVED	DATE 02-11-2021	SCALE 1 : 1	MATERIAL -	Y:\Aravindh P\FOUNDATION DETAILS\foundation dwg\112\REV 00.dwg
-------------------	---------	----------	--------------------	----------------	---------------	--

**DETAILED MOUNTING DRAWING FOR W33 WALL BRACKET**



**K-LITE INDUSTRIES**  
CHENNAI-600 058



DRG. NO.  
**KL - DFD - 112**

REV  
00

SHEET  
1 OF 1